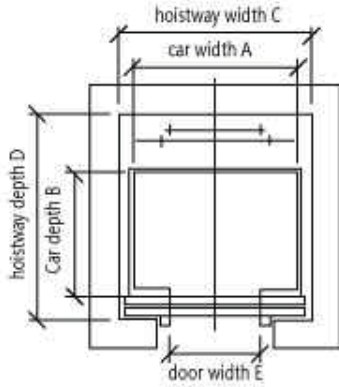
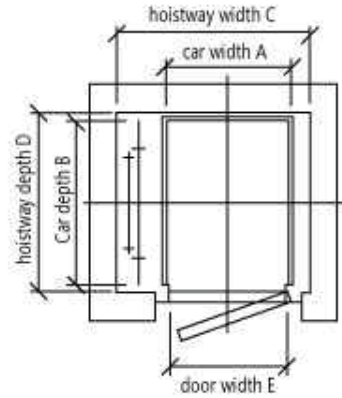


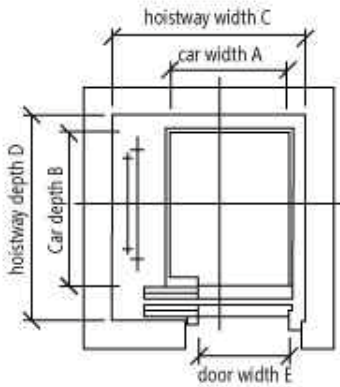
# Villa elevator



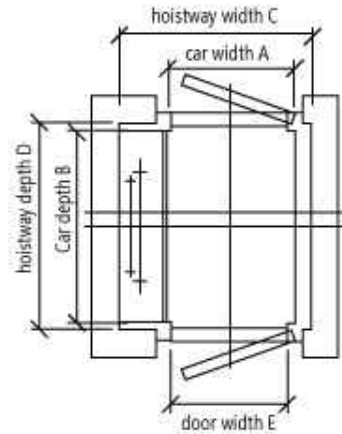
| Center Opening Door |        |        |        |        |        |          |               |
|---------------------|--------|--------|--------|--------|--------|----------|---------------|
| Rated Load          | A (mm) | B (mm) | C (mm) | D (mm) | E (mm) | Pit (mm) | Overhead (mm) |
| 250KG               | 1100   | 900    | 1400   | 1500   | 600    | 400      | 3200          |
| 320KG               | 1200   | 900    | 1450   | 1500   | 600    | 400      | 3200          |



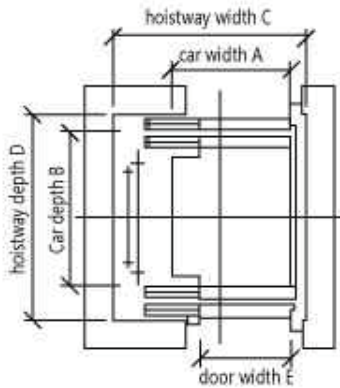
| Manually Operated Door |        |        |        |        |        |          |               |
|------------------------|--------|--------|--------|--------|--------|----------|---------------|
| Rated Load             | A (mm) | B (mm) | C (mm) | D (mm) | E (mm) | Pit (mm) | Overhead (mm) |
| 250KG                  | 900    | 1200   | 1500   | 1350   | 900    | 400      | 3200          |
| 320KG                  | 900    | 1300   | 1500   | 1450   | 900    | 400      | 3200          |



| Side Opening Door |        |        |        |        |        |          |               |
|-------------------|--------|--------|--------|--------|--------|----------|---------------|
| Rated Load        | A (mm) | B (mm) | C (mm) | D (mm) | E (mm) | Pit (mm) | Overhead (mm) |
| 250KG             | 900    | 1200   | 1450   | 1550   | 700    | 400      | 3200          |
| 320KG             | 900    | 1300   | 1450   | 1650   | 700    | 400      | 3200          |



| Manually Operated Door(Double entrance) |        |        |        |        |        |          |               |
|---|--------|--------|--------|--------|--------|----------|---------------|
| Rated Load                              | A (mm) | B (mm) | C (mm) | D (mm) | E (mm) | Pit (mm) | Overhead (mm) |
| 250KG                                   | 900    | 1200   | 1500   | 1270   | 900    | 400      | 3200          |
| 320KG                                   | 900    | 1300   | 1500   | 1370   | 900    | 400      | 3200          |



| Side Opening Door(Double entrance) |        |        |        |        |        |          |               |
|------------------------------------|--------|--------|--------|--------|--------|----------|---------------|
| Rated Load                         | A (mm) | B (mm) | C (mm) | D (mm) | E (mm) | Pit (mm) | Overhead (mm) |
| 250KG                              | 900    | 1200   | 1450   | 1690   | 700    | 400      | 3200          |
| 320KG                              | 900    | 1300   | 1450   | 1790   | 700    | 400      | 3200          |

Note:1.The elevator meets standard GB/T21739-2008.

2.If hoistway steel structure or three-entrance is required,Another design.